

The Newer Technology Power2U AC/USB wall outlet offers a clean, convenient, and centralized location to charge and/or power mobile devices along with powering traditional AC powered “plug in” items. It’s an easy DIY install on any 15A electrical circuit and provides a flush, standard wall outlet appearance that blends in seamlessly with residential environments.

By incorporating both traditional three prong AC wall sockets along with USB ports, the Power2U AC/USB wall outlet enhances living and working spaces by eliminating the clutter created by multiple cables and unsightly bulky power adapters.

CAUTION: Please read before installing!

- A video installation guide is available at: <http://www.newertech.com/p2u-install>
- Failure to follow these instructions can cause death or permanent injury. Do not work on live electrical circuits!
- This product is for indoor and permanently installed use only.
- Do not place the device to be charged in direct sunlight or near direct heat, as this will affect the charging function.
- Disconnect the USB cable from the USB socket when not in use.
- It is normal for the battery in the device being charged and the USB charger itself to generate some heat during the charging process.
- Install the device in accordance with all national and local electrical codes.

General Information:

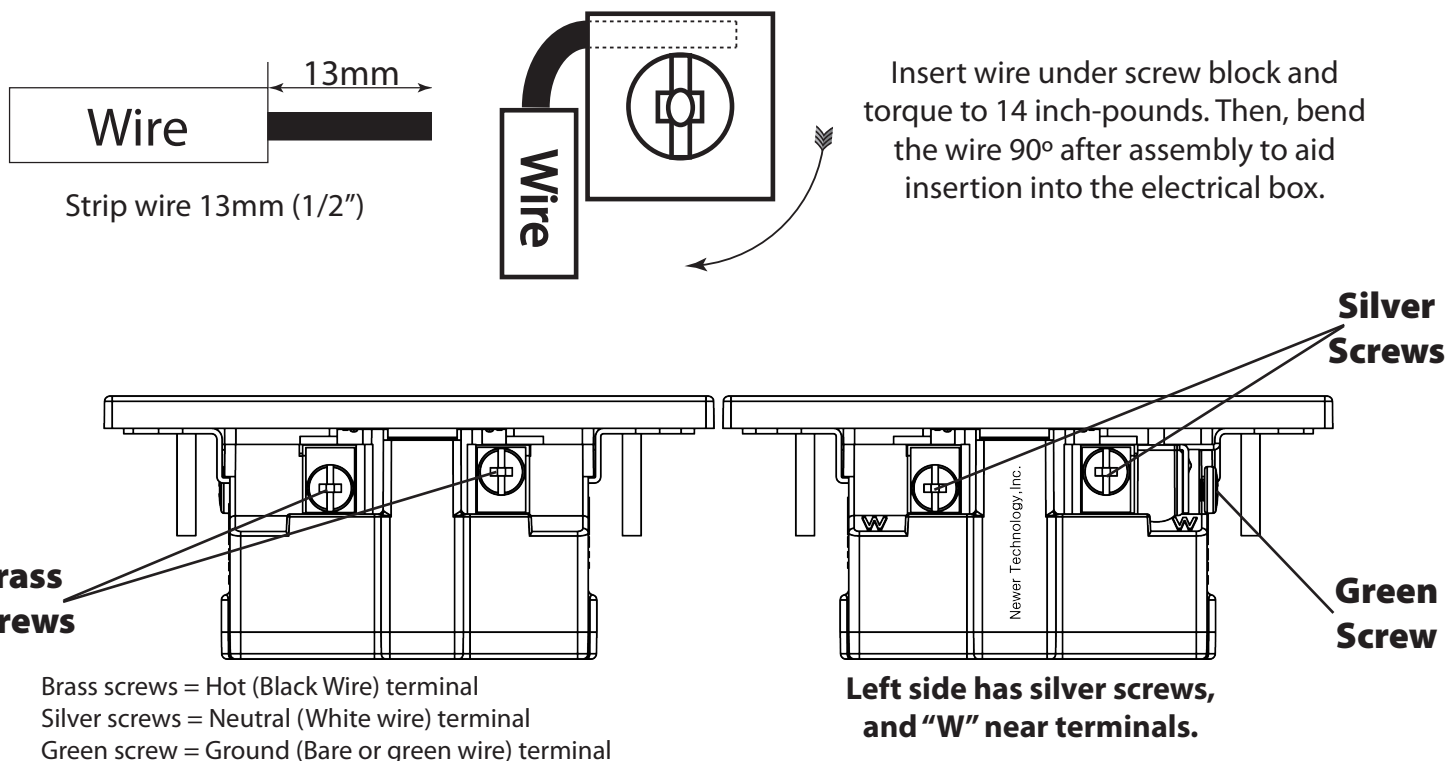
- This product is a 2-in-1 electrical wall socket. It can be used as a standard 15A 120V electrical receptacle, as well as for charging products that utilize a USB connection up to 2.5A. It is ideal for charging electronics such as iPhone, iPad, iPod, MP3 players, PDAs, GPS receivers, gaming consoles, and any other devices that charge using a USB connection.
- The Newer Technology Power2U uses the most advanced IC control system in the world, and provides multiple levels of protection to your device being charged.
- The Newer Technology Power2U is manufactured from high quality polycarbonate resin and all internal components have been UL approved.

Identify Cables / Wires

- Do NOT install the Newer Technology Power2U wall outlet into an electrical box that is smaller than 16 cubic inches. If your electrical box contains more than 4 wires (not including ground wires), verify that it’s capacity is large enough to accommodate this device before proceeding. **Do not overfill the electrical box!**

Wire and Wire Connections

- The Newer Technology Power2U is designed to work with either solid wire or stranded wire, 12 or 14 AWG. When attaching the wire to the Power2U, please refer to the drawings below to ensure proper connection:

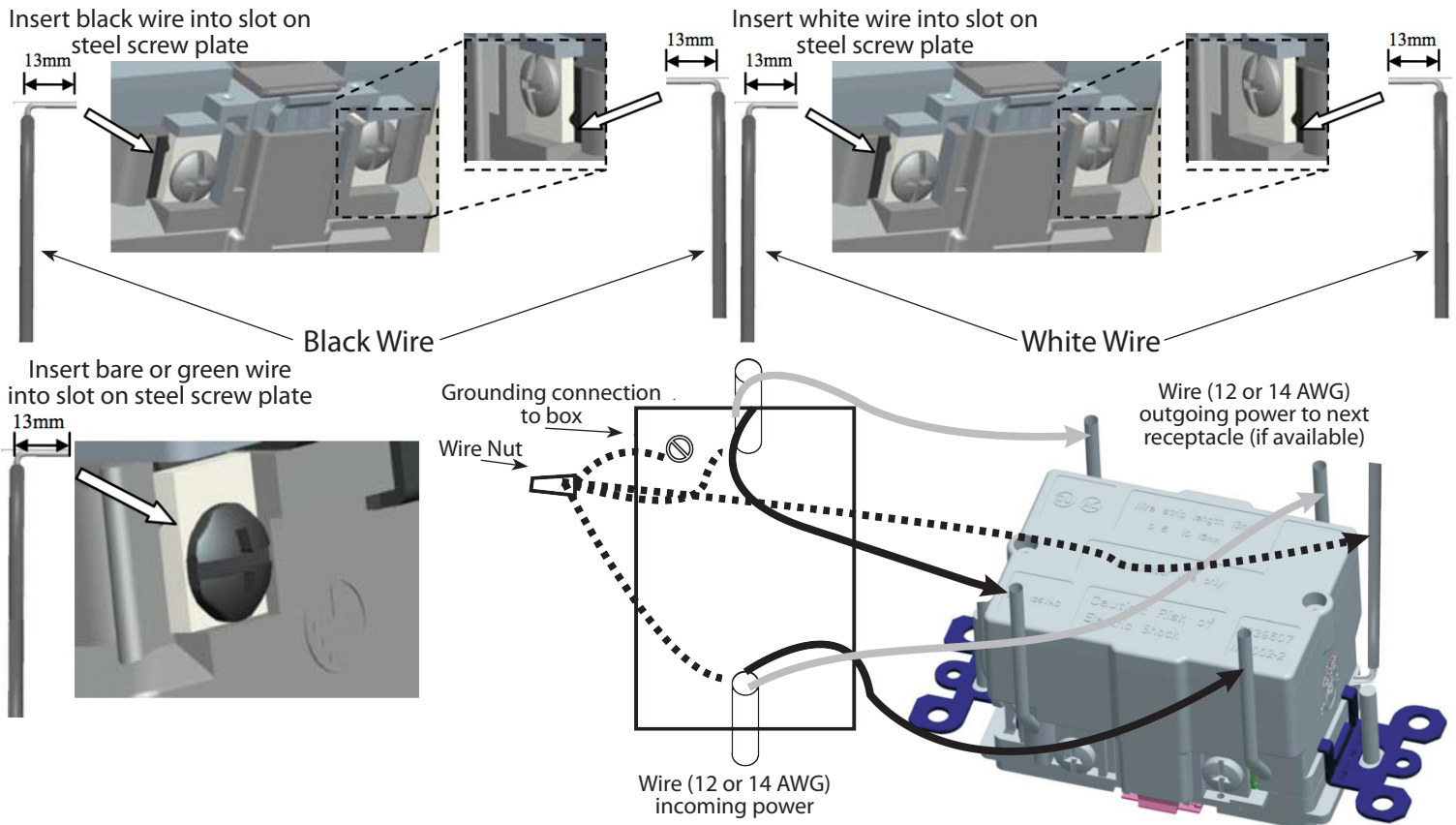


Installation and use:

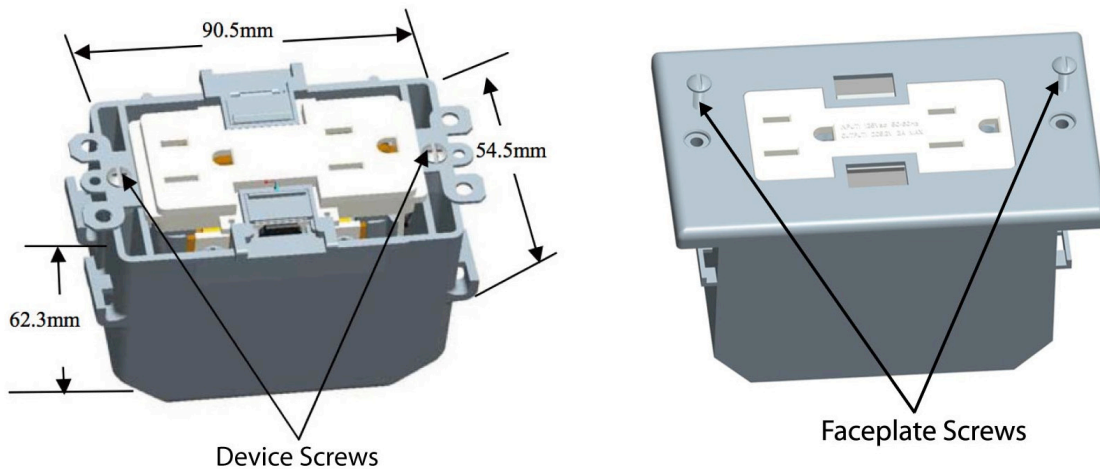
The installation of the Newer Technology Power2U receptacle is straightforward and the same as replacing a normal electrical receptacle. The Power2U is a large device; make certain that your electrical box can legally accommodate it!

To install the Newer Technology Power2U:

- ① Turn the power OFF to the receptacle you are replacing. This is done at the electrical circuit breaker box or the fuse box. Turn the circuit breaker OFF or remove the fuse that powers the circuit you are working on before proceeding!
- ② Connect the wires to the Newer Technology Power2U by placing the wire into the slot of the steel pressure plate, tighten the screw to 14 inch-pounds of torque, then bend the wire 90° so that it is flat against the Power2U's body.
 - The black wire connects to the brass terminal (HOT)
 - The white wire connects to the silver terminal (NEUTRAL)
 - The bare copper or green wire connects to the green terminal (GROUND)



- ③ Fold the wires into the electrical box, keeping the bare ground wire away from the HOT (brass) and Neutral (silver) terminals. Screw the Power2U into the electrical box. Screw the faceplate into the Power2U.



- ④ Turn the power back on to the receptacle at the circuit breaker or fuse panel. Test the Power2U receptacle (125V) power outlets and the 5.2V USB outlets to verify proper operation. The USB outlets are only powered when the safety switch cover is open and a USB cable is plugged in. If a USB port does not work when installed, please visit <http://www.newertech.com/p2u-install> for troubleshooting tips and suggestions.

Technical Specifications
USB Input: AC 125V 50/60Hz 450mA
USB Output: DC 5.2V 2.5A
AC Input: 15A, 125V (NEMA 5-15R)

Operating Temperature: -10°C to 35°C
Relative Humidity: <=75%

©Newer Technology, Inc. 12/23/12 JD
For support please contact us at: <http://www.newertech.com/support>

Patent # US 7,997,925

UL File # E339607